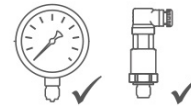


Pressure Gauges / Diaphragm Seals / Diaphragm Group Types / DS0500 Screw Connections

**CONSTRUCTIVE PROPERTIES**

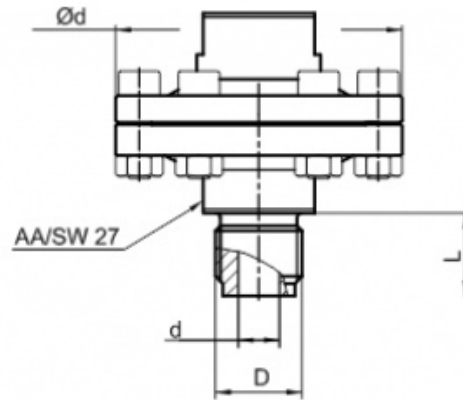
	STANDARD	OPTIONAL
Scale Unit	bar	-
Scale Range (PN)	0/0,6   0/1   0/1,6   0/2,5   0/4   0/6   0/10   0/16   0/25   0/40   0/60   0/100   0/160   0/250   0/400   0/600	
Upper Body Material	AISI-316L	Hastelloy C276   Monel 400
Lower Body Material	AISI-316L	Hastelloy C276   Monel 400   PTFE
Instrument Connection	G 1/2"	-
Assembling	Direct Connection	Capillary Clamp (Max. 4 m.)   Cooling Tower   Capillary with SS armour covered (Max. 4 m.)
Process Connection	G 1/2"	1/2" NPT
Filling Liquid	Silicon Oil	-
Sealing	Viton	PTFE
Accuracy Class % (Will be added to instrument accuracy)	±0,5% Direct Mounting	±1% Capillary Mounting
Nuts & Bolts	AISI-304	AISI-316L



**DS0500**

**USAGE PROPERTIES**

Storage Temperature	-40 ... +70 °C	-
Process Temperature	-45/+150°C	-
Leakage Test	Helium Sniffer Leakage Test	
Conformity	NACE MR 1075   Oxygen Service   DIN   ANSI	



**PN 0,6 / 1,6; 2,5 / 160; 250 / 600 bar**

PN	Ø	Ød	D	d			L	Model #
				Standart	Optional			
0,6 / 1,6	100	97	G 1/2 A	10	8	12	20	DS 0500 004
	160	97	1/2 NPT	10	8	12	20	DS 0500 024
2,5 / 160	100	69,5	G 1/2 A	10	8	12	20	DS 0500 204
	160	69,5	1/2 NPT	10	8	12	20	DS 0500 224
250 / 600	100	69,5	G 1/2 A	10	8	12	20	DS 0500 404
	160	69,5	1/2 NPT	10	8	12	20	DS 0500 424